

BIOMETRIC TRANSPONDER Q3007

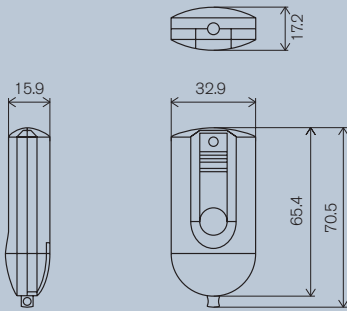


Biometric transponder Q3007

The Q3007 is a transponder that also detects the user's fingerprint. Up to six different fingerprints can be stored in the memory. The first two fingerprints are treated as Master Fingers, and they must be used to authorise the teaching in of other fingerprints. The transponder can also be authorised for a time-limited 'on' state, during which period doors can be opened, simply by pressing the button.

PRODUCT VERSIONS:

- Transponder with additional fingerprint strip sensor (TRA.FPINF3)
- Transponder for fire brigade key tubes up to 33 mm (1.3 inches) inner diameter (TRA.FSR)



Dimensions in mm

TECHNICAL SPECIFICATIONS:

- Black plastic (POM)
- Fingerprint strip sensor
- Dimensions: 70.5 x 32.9 x 17.2 mm (2.78 x 1.3 x .68 inches) (H x W x L)
- Weight: ca. 22 g including battery
- Protection class: IP 54
- Typical reading range: up to 40 cm (15.75 inches) to a locking cylinder, up to 120 cm (47.24 inches) to a Smart Relay
- Battery type: 1 x CR1/3N 3 VDC lithium
- Battery lifespan: up to 8,000 operations, battery for fire brigade transponders must be changed every year because of safety requirements
- Temperature range: 0 °C to +40 °C without condensation
- Administering up to 6 users
- Continuous operation/transparent mode possible for up to 15 minutes
- Winner of the IF Product Design Award 2006

ORDERING DETAILS:

Biometric transponder Q3007	TRA.FPINF3
For fire brigade key tubes	TRA.FSR
1 battery for Q3007 (2nd and 3rd generation), type: CR1/3N	TRA.INF2.BAT