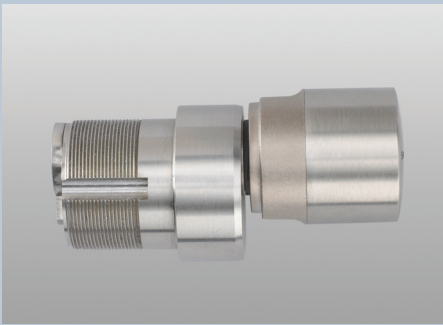


DIGITAL MORTISE CYLINDER 3061



Digital Mortise Cylinder 3061

The Digital Mortise Cylinder puts access control into the mortise cylinder. Now you can remove the mechanical mortise cylinder from your Adams Rite aluminum storefront lock or Schlage L-Series Mortise Lock and replace it with a digital cylinder. This gives you control over who has access, when they have access, and can track that use for later reference. You can even remove access for a user without the user or their credential being present. Powerful electronic access control in a small wireless package for the storefront door is only part of the advanced SimonsVoss solution.

REDUCE INSTALLATION COSTS:

- No DIP switches or other settings
- Form and fit replacement for mortise cylinder
- Completely wireless
- No external power supplies
- Easily create a separate access plan for each user

REDUCE OPERATION COSTS:

- One button access
- Batteries last for more than 150,000 operations
- Easy to add authorized credentials
- Easy to remove authorization even when the credential is not present
- Easy to reconfigure access without installation modifications
- Full multi-layer, multi-system lock plans supported

REDUCE SECURITY RISKS:

- Fully encrypted communications
- Access transactions can be recorded
- Eliminates unauthorized keys

REDUCE INTEGRATION COSTS:

- Similar solutions for Cylindrical and Mortise locks
- Similar solutions for overhead doors, elevators, and other equipment
- Multiple credential solutions including biometric technology
- Wireless network available

COMPANY HEADQUARTERS

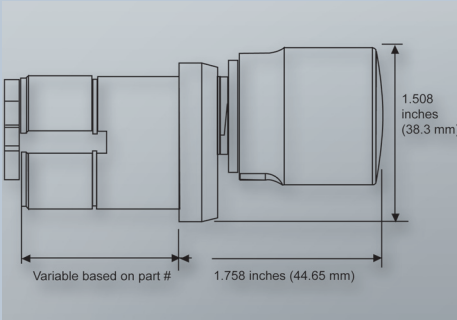
SimonsVoss Technologies AG
Feringastrasse 4
85774 Unterfoehring • Germany

NORTHAMERICA

SimonsVoss Technologies Inc.
10125 South 52nd Street
Franklin, WI 53132
Phone +1 414 421-2481
Toll Free 866-785-6259
usa@simons-voss.com
www.simons-voss.us

DIGITAL MORTISE CYLINDER 3061

FEATURES:



Dimensions in inches / mm

- Authorized for Adams Rite MS 1850S Series and Schlage L-Series Mortise Lock
- ANSI Grade 1 lock
- Satin stainless steel finish
- Advanced battery management system prevents lock-out
- Each lock supports up to 8,000 users
- Overlay mode allows a new transponder to automatically invalidate replaced transp.
- When activated by a transponder, the lock is engaged for 6 seconds
- Able to record the last 3,000 transponder actions
- Transponder authorization may be modified by the time of day and day of the week

PRODUCT VERSIONS:

- Functions with an Adams Rite 1850S or Schlage L-Series lock
- Available in two lengths: 1-1/8 and 1-3/8

TECHNICAL SPECIFICATIONS:

- Outputs: Lock Control, Piezo sounder
- Communications: SimonsVoss B-Field RF link to transp. and WaveNet network interface
- Barrel length: 1-1/8 inches and 1-3/8 inches
- Dimensions: 3 inches in length by 1.5 inches diameter (76.2 mm x 38.1 mm)
- Weight: 0.55 lbs. (0.25 kg)
- Operating temperature: -4°F to 140°F (-20 °C to 60 °C)
- Storage temperature: -4°F to 158°F (-20 °C to 70 °C)
- Humidity: < 90% non-condensing
- Compliance standards: FCC Part 15, FCC ID: UUC-01, Canada: 6867A-01
- Two coin-cell style Lithium batteries (CR2450) provide 150,000 operations

ORDERING DETAILS:

Adams Rite, 1-1/8, Satin Stainless	DMC4.A01.W1.ACWP630
Adams Rite, 1-3/8, Satin Stainless	DMC4.A01.W2.ACWP630
Schlage L-Series, 1-1/8, Satin Stainless	DMC4.S01.W1.ACWP630
Schlage L-Series, 1-3/8, Satin Stainless	DMC4.S01.W2.ACWP630